



LEAF PONCHO JACKET

Designed by NICKY EPSTEIN

FINISHED SIZE

Width: 32"
Length: 28"

MATERIALS

24 balls Lana Grossa Bingo
(100% wool, 88 yds in 50 g)
Shown in color #95

NEEDLES

Size US 7 (4.5 mm) 29" or 32" circular
needles *or size required to obtain gauge*

Cable needle

GAUGE

17 sts and 26 rows = 4" in st st

BACK

CO 150 sts. Work first 12 rows of Border Pattern. At end of row 12, CO 6 sts.

NEXT ROW (WS): P6, work row 13 of Border Pattern, CO 6 sts – 162 sts.

NEXT ROW: Work 6 sts of Chart A, * K9, work 6 sts of Chart A, K6, rep from * to last 9 sts, K3, work 6 sts of Chart A.

Continue in pattern as established, working st st between the cables from Chart A, until piece measures 28", excluding scallops of border.

LAST ROW: Work 65 sts in established pattern and place on holder. BO 32 sts for back neck.

Work rem 65 sts and place on holder.

RIGHT FRONT

CO 66 sts. Work first 12 rows of Border Pattern. At end of row 12, CO 6 sts.

NEXT ROW (WS): P6, work row 13 of Border Pattern, CO 16 sts – 88 sts.

NEXT ROW: Work 16 sts of Chart B, * K9, work 6 sts of Chart A, K6, rep from * to last 9 sts, K3, work 6 sts of Chart A.

Continue in pattern as established, working st st between the cables, until piece measures 26½", excluding scallops of border, ending with a WS row.

SHAPE NECK

NEXT ROW (RS): BO 16, work in pattern to end of row. Maintaining pattern as established, BO 2 sts at neck edge every RS row twice, then dec 1 st at neck edge every RS row 3 times – 65 sts. Place sts on holder.

LEFT FRONT

CO 66 sts. Work first 12 rows of Border Pattern. At end of row 12, CO 16 sts.

NEXT ROW (WS): P16, work row 13 of Border Pattern, CO 6 sts – 88 sts.

NEXT ROW: Work 6 sts of Chart A, * K9, work 6 sts of Chart A, K6, rep from * to last 19 sts, K3, work 16 sts of Chart B.

BORDER PATTERN

ROW 1 (WS): K

ROW 2: P

ROW 3: K

ROW 4: K1, * yo, K21, rep from * to last 2 sts, end K2.

ROW 5: P2, * {P1, K3} 5 times, P2, rep from * to last st, end P1.

ROW 6: K1, * K1, yo, K1, {P3, K1} 5 times, yo, rep from * to last 2 sts, end K2.

ROW 7: P1, * P3, {K3, P1} 5 times, P1, rep from * to last 2 sts, end P2.

ROW 8: K1, * {K1, yo} twice, {SSK, P2} 5 times, {K1, yo} twice, rep from * to last 2 sts, end K2.

ROW 9: P2, * P4, {K2, P1} 5 times, P4, rep from * to last st, end P1.

ROW 10: K1, * {K1, yo} 4 times, {SSK, P1} 5 times, {K1, yo} 4 times, rep from * to last 2 sts, end K2.

ROW 11: P2, * P8, {K1, P1} 5 times, P8, rep from * to last st, end P1.

ROW 12: K1, * K8, SSK 5 times, K8, rep from * to last 2 sts, end K2.

ROW 13: P2, * P8, P4 and sl these sts to cable needle, wrap yarn clockwise around sts on cable needle 3 times, sl these sts to right hand needle, P9, rep from * to last st, end P1.



Continue in pattern as established, working st st between the cables, until same length as Right Front to neck shaping, ending with a RS row.

SHAPE NECK

NEXT ROW (WS): B0 16, work in pattern

to end of row. Maintaining pattern as established, B0 2 sts at neck edge every WS row twice, then dec 1 st at neck edge every WS row 3 times – 65 sts. Place sts on holder.

Join fronts to back at shoulders using 3 needle B0.

SLEEVES

Measure and place markers on armhole edges of front and back $6\frac{1}{2}$ " away from shoulder seam. Pick up and K 80 sts between markers. Work in K2 P2 ribbing until $16\frac{1}{2}$ " long, or desired length.

Sew sleeve seams.

COLLAR

C0 66 sts. Work first 11 rows of Border Pattern. At end of row 11, C0 16 sts.

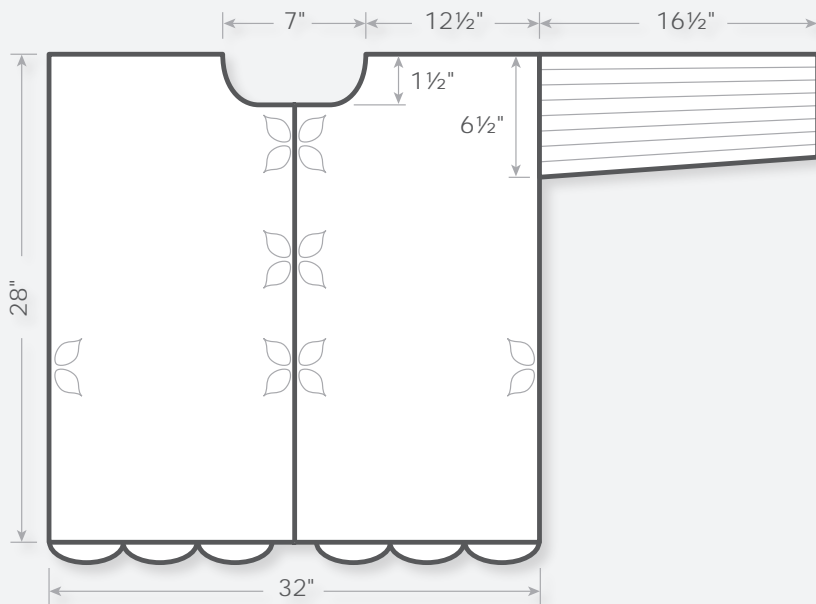
NEXT ROW (RS): K16, work row 12 of Border Pattern, C0 16 sts – 98 sts.

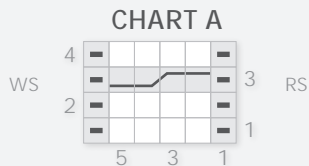
NEXT ROW (WS): {K1, P4} 3 times, K1, work row 13 of Border Pattern, {K1, P4} 3 times, K1.

NEXT ROW: Work 16 sts of Chart B, * K9, work 6 sts of Chart A, K6, rep from * to last 19 sts, K3, work 16 sts of Chart B.

Continue in pattern as established until piece measures $5\frac{1}{2}$ ", excluding scallops of border.

Sew collar to neck edge.



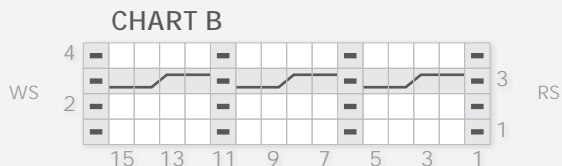


□ K on RS, P on WS

■ P on RS, K on WS



Sl 2 sts to CN and hold to back, K2, K2 from CN



LEAF FROGS

Make 5 with buttons, 5 with loops.

Using double pointed needles, CO 3 sts. Work knitted cord as follows: * K3. Do not turn work. Slide sts to other end of needle, pull yarn across back of sts. Rep from *. For frog with button, work cord to 6" long. For frog without button, work cord to 3" long. Last row of cord: K1, yo, K1, yo, K1.

WORK LEAF

ROW 1 (RS): K2, yo, K1, yo, K2 – 7 sts.

ROW 2 and ALL EVEN numbered rows: P

ROW 3: K3, yo, K1, yo, K3 – 9 sts.

ROW 5: SSK, K5, K2tog – 7 sts.

ROW 7: SSK, K3, K2tog – 5 sts.

ROW 9: SSK, K1, K2tog – 3 sts.

ROW 10: P3tog. Fasten off.

Pick up 3 sts along CO edge of cord. K1, yo, K1, yo, K1 – 5 sts.

Work leaf.

For frog with buttons, fold cord in half and tie an overhand knot at folded end of doubled cord.

Sew frogs in place as show in photograph. Position first frog ½" down from neck edge, and third frog 7" up from bottom edge. Place second frog evenly between these two. Sew 1 frog to each side 7" up from bottom edge.

